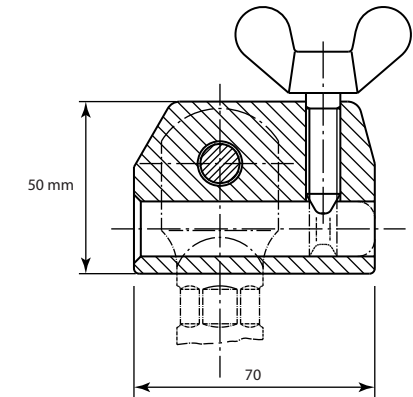
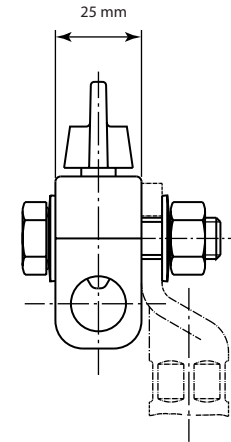
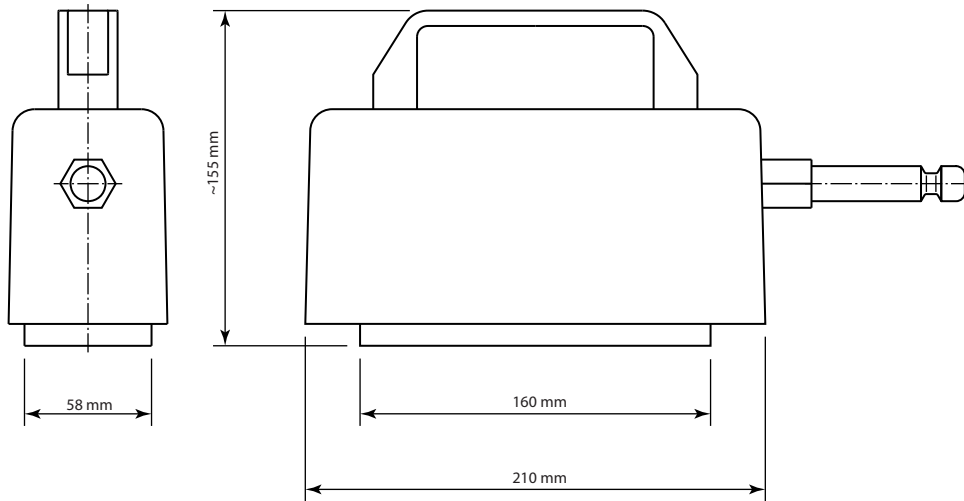
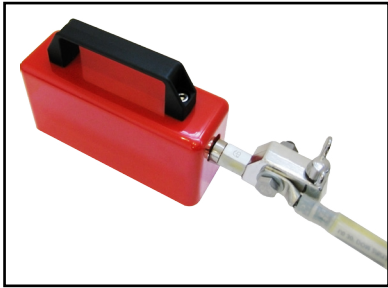



REVISIONS			
REV	DESCRIPTION	DATE	APPROVED
A	RELEASE	07/28/2022	J. LEE



Amperage Rating: 16.8 kA/652 ms
Weight: 6.3 kg

ITEM NO.	QTY REQ'D	PART NUMBER	DESCRIPTION					
DO NOT SCALE THIS DRAWING			DRAWN BY	DATE	 SILVER STATE WIRE & CABLE WWW.SILVERSTATEWIRE.COM			
ALL DIMENSIONS ARE IN INCHES UNLESS OTHERWISE SPECIFIED			D. MILLER	07/28/2022				
			CHECKED BY	DATE				
TOLERANCE: ANGLES ± 0.5° DEC. .XX ± 0.03 DEC. .XXX ± 0.010			J. LEE	07/28/2022				
THIS DRAWING IS THE PROPERTY OF SILVER STATE WIRE & CABLE AND SHALL NOT BE REPRODUCED, COPIED, OR USED AS THE BASIS FOR THE MANUFACTURE OR SALE OF THIS DESIGN WITHOUT THE WRITTEN PERMISSION OF SILVER STATE WIRE AND CABLE.			APPROVED BY	DATE	DESCRIPTION			
			J. LEE	07/28/2022	Magnet, Rail Grounding Clamp #4			
			APPROVED BY	DATE	SIZE	CAGE CODE	DWG NO.	REV
			N/A	N/A	A	01CV1	03-05-00002	A
			SCALE		NONE	WT	SHEET 1 OF 1	